



7798 I/SITE™ LAN (SLI)

I/NET® Seven

The 7798 I/SITE™ LAN

The 7798 I/SITE™ LAN (SLI) serves a dual role. It can be a standalone network controller for a system of MicroControllers or it can function as a gateway (with optional communications module) between a network of MicroControllers and other controllers in a larger I/NET® distributed control system.

The SLI provides global functions for the MicroControllers, including: Access-initiated Control, Elevator Control, Event-initiated Control, Trending, Runtime Accumulation, Automatic Time Scheduling, Calculations, Anti-passback and periodic synchronization of the local clocks in the MicroControllers.

The 7798 has a built-in operator interface (ViewCon) and supports up to 32 controllers.

Recommended power supply: XFMR6
(Refer to transformers datasheet)

Installation guide: TCON138



TECHNICAL DATA

Communication Ports:

- CLX Controller LAN Expansion (Optional)
 - Baud Rate 9,600 or 19,200 baud
 - Protocol Proprietary
 - Transport RS 485 SDLC token passing
 - Connector 2-part screw terminal
- Sub-LAN port
 - Baud Rate 9,600
 - Protocol Proprietary
 - Transport RS 485 asynchronous, polling (open or closed loop)
 - Connector 2-part screw terminal
- Direct Serial Port 1
 - Baud Rate 1,200 to 9,600 baud
 - Protocol Proprietary
 - Transport RS 232 - 7801 tap or asynchronous modem printer at 9,600 baud
- Serial Port 2
 - Baud Rate 3,00 to 9,600 baud
 - Protocol Proprietary
 - Transport RS 232 synchronous or modem, direct or 2-way dial SDLC (78061 or 78035 TAP)

Autodial

- Stored Numbers 8
- Digits per Number 31
- Supports Phone, beeper, pager

ViewCon User Interface Details:

- Backlit Graphic 4 lines X 40 characters
- LCD (64X240 Pixels)
- Membrane Keypad 8 "soft" keys (F1 – F8)
- Pages 64 User-defined groups of points can be from any other controller in the system when using CLX
- Passwords 1,000 user-defined with 4 levels of authorization

Network Wiring Requirements:

- Length 5,000 feet per segment
- Extended Length 25,000 feet with repeaters
- Connector 2-part screw terminal
- Cable Type Belden 9184 or equivalent twisted pair shielded
- Cable Size <22AWG
- Impedance 85 to 150 Ohm

TECHNICAL DATA

: Capacitance >30pF/ft between conductors and >55pF/ft conductor to shield

Hardware Details:

Processor Zilog Z181
 EPROM 32KB
 Static RAM 1024KB
 Non-volatile Memory .. 512Bytes
 Battery support Onboard ni-cad, rechargeable, 300 hours
 Firmware Downloaded to battery-backed RAM
 Clock/Calendar Battery-backed

Physical Details:

Enclosure 7"L x 9"W x 67"D
 Dimensions
 CLX Expansion 4.3"L x 3.4"W
 Board
 Weight 2lbs
 Operating 32°F to 104°F (Viewcon)
 Temperature
 Operating 10-90% RH, Non-condensing
 Humidity
 Power 24Vac, ±10%, 50/60Hz,
 Requirements 10VA (max)

Controller Capacities:

General

Channels 1 Sub-LAN per 7798
 Number of 1 per 7798
 Station Addresses
 Number of 32
 controllers per
 Sub-LAN

Controller Types

Door Process 32 per 7798
 Controls
 Digital Input Unit 32 per 7798
 Digital Input/Output 32 per 7798
 Unit
 Micro Controller 32 per 7798
 Units

Options:

Communications
 CLX Controller LAN Expansion (Optional)
 Allows controller LAN communication capability

LED Details:

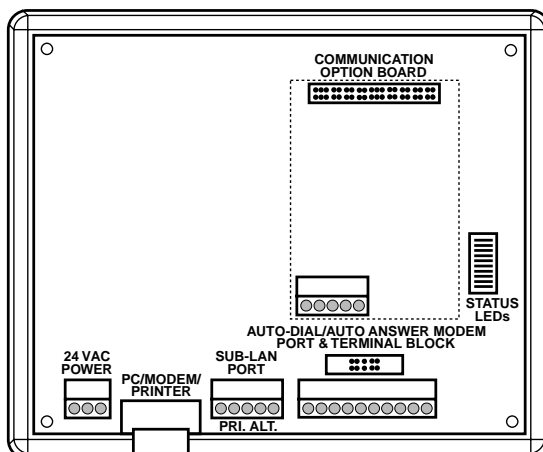
CLX Expansion LAN TX
 CLX Expansion LAN RX
 Port 1 RS232TX
 Port 1 RS232RX
 Port 2 RS232TX
 Port 2 RS232RX
 Sub-LAN ATX
 Sub-LAN ARX
 Hand-held TX
 Hand-held RX
 LAN Reconfig
 Alarm
 Low Power

Listings:

UL916 Energy management equipment
 UL294 Access control system units
 UL864 UUKL Smoke control and smoke management

CE Marking

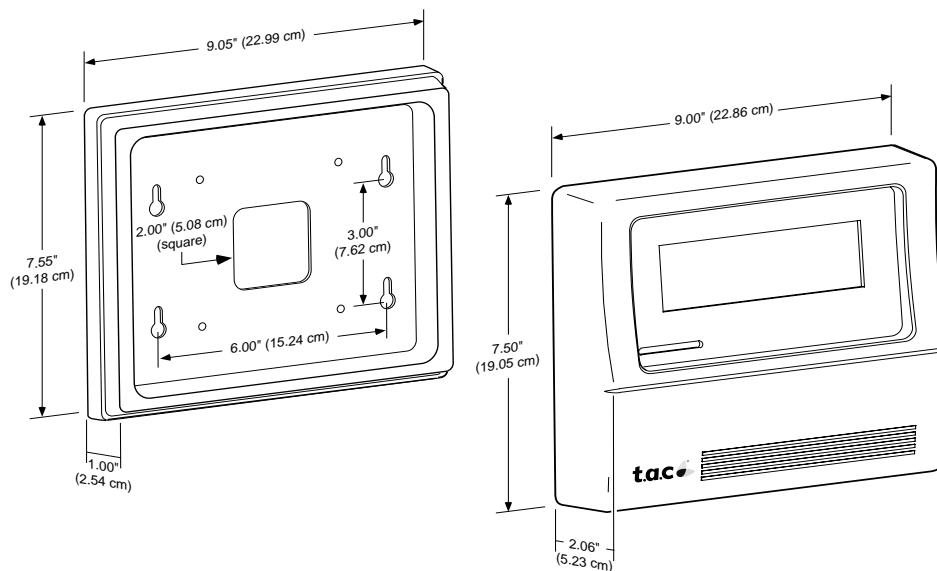
Available
 EN61000-4-2 Electro static discharge
 EN61000-4-3 Radiated RF
 EN61000-4-4 EFT
 EN61000-4-5 Surge tested
 EN61000-4-6 Conducted RF
 EN61000-4-8 Magnetic field
 EN61000-4-11 Power quality



TECHNICAL DATA

Part numbers:

Standard		CLX-C	Expansion card I/SITE expansion board for controller LAN capabilities
7798B1	Controller I/SITE LAN MicroController with local LCD operator interface, 1024K RAM	UL864 UUKL Listed	
CLX	Expansion card I/SITE expansion board for Controller LAN capabilities	7798B1-U8	Controller I/SITE LAN MicroController with local LCD operator interface, 1024K RAM
CE Marked		CLX-U8	Expansion card controller LAN expansion board RS485
7798B1-C	Controller I/SITE LAN MicroController with local LCD operator interface, 1024K RAM		



7798 I/SITE Plastic Enclosure

TAC and TAC products are trademarks and/or registered trademarks of TAC AB. All other trademarks mentioned belong to their respective owners. Copyright©2002 TAC AB. All rights reserved.